

CONTENTS :

PAGE1 - CONTENTS

PAGE2 - POWER, MODULE, GPIO, JTAG

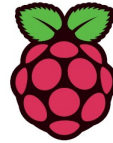
PAGE3 - CSI, DSI, HDMI, USB

REVISION HISTORY:

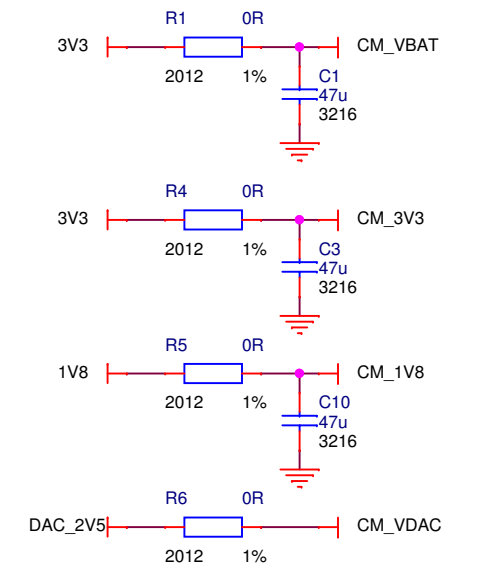
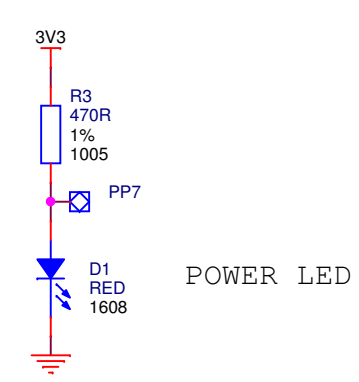
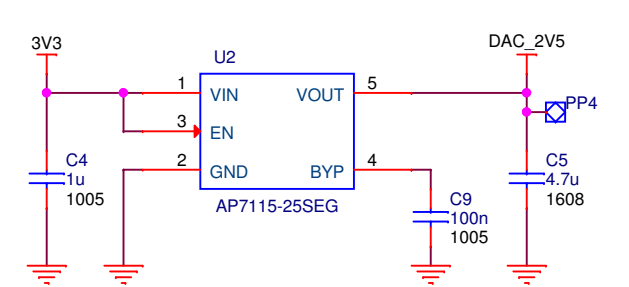
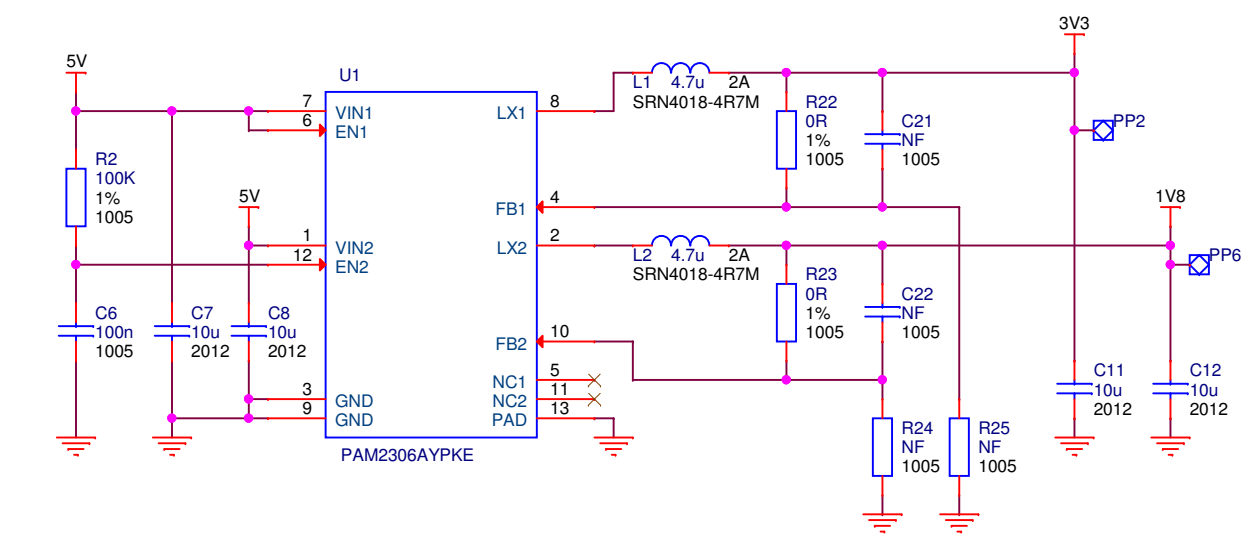
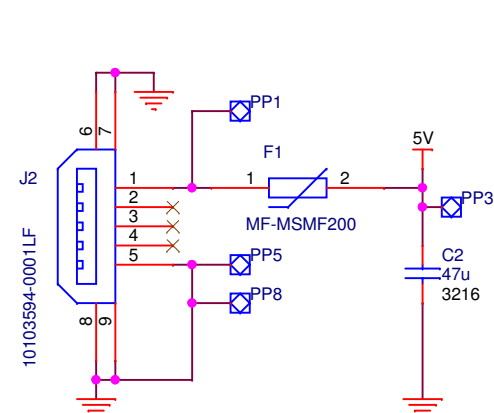
23/01/2014 - V1.0

18/02/2014 - V1.1

10/04/2014 - V1.2 - Production Version

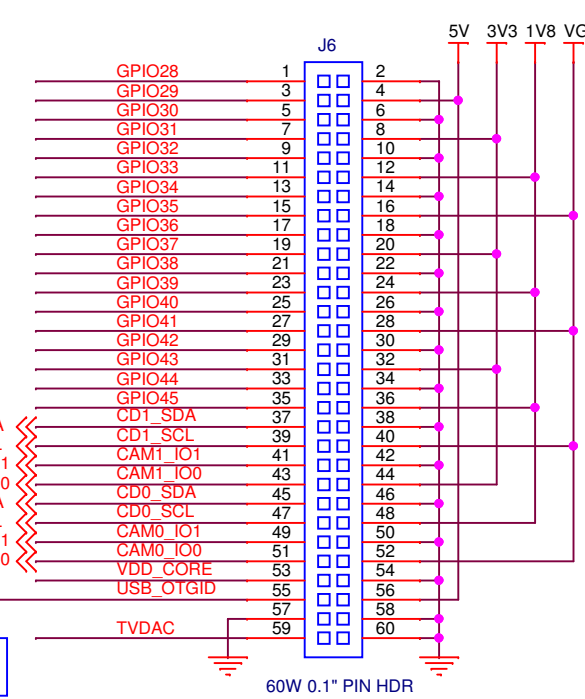
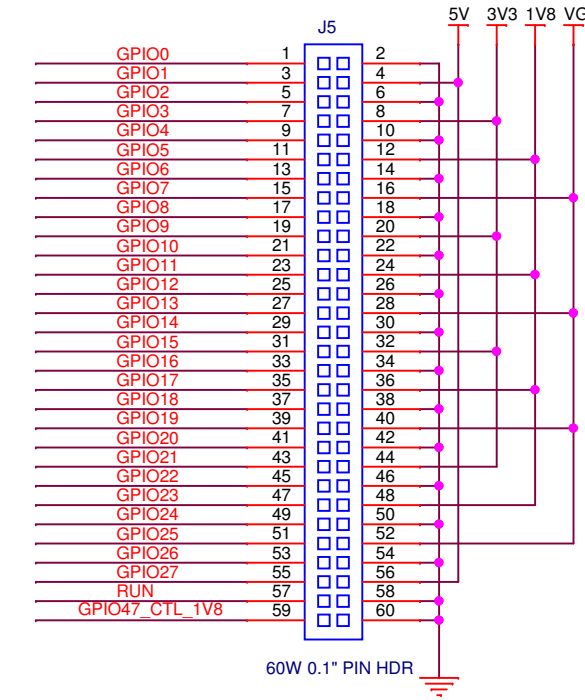
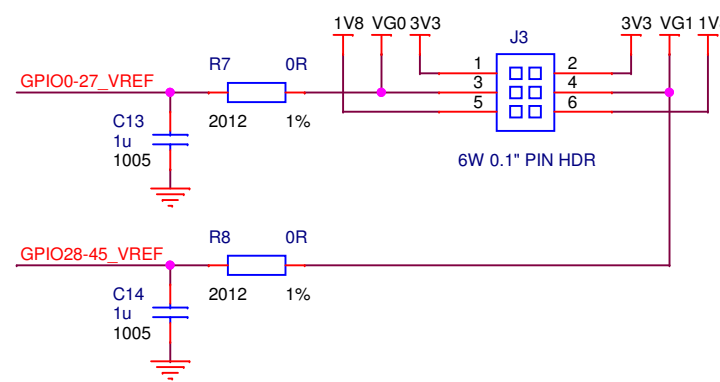
		© Raspberry Pi 2014 www.raspberrypi.org	
Title Raspberry Pi Compute Module IO Board		Drawn By James Adams	
Size A3	Ref RPI-CMIO		Rev 1.2
Date: Thursday, April 10, 2014		Sheet 1 of 3	

POWER IN



GPIO BANK 0/1 VOLTAGE SELECT:

Jumper Positions VG0 / VG1:
 1-3 / 2-4 = 3V3
 3-5 / 4-6 = 1V8
 NC = external source

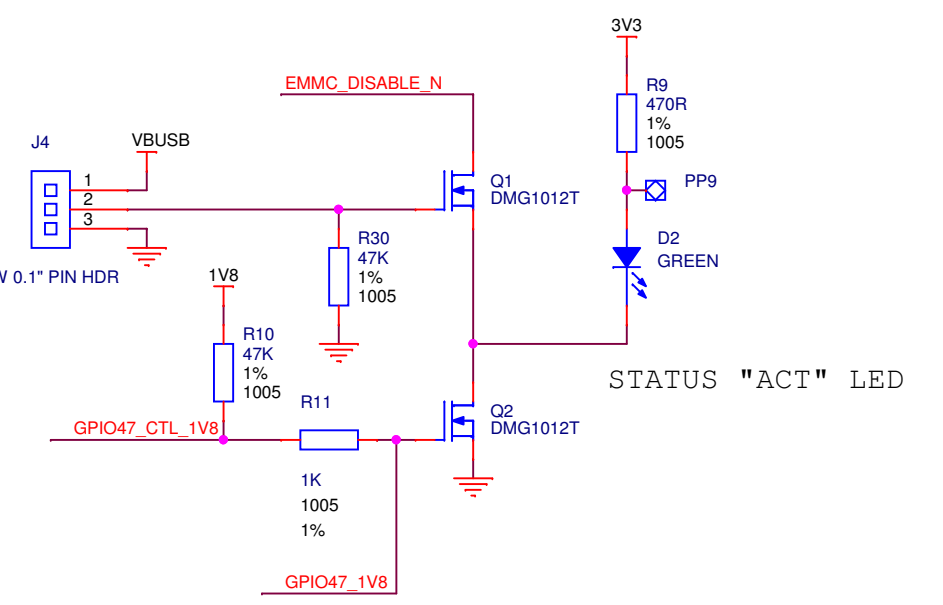


MODULE BOOT OPTIONS:

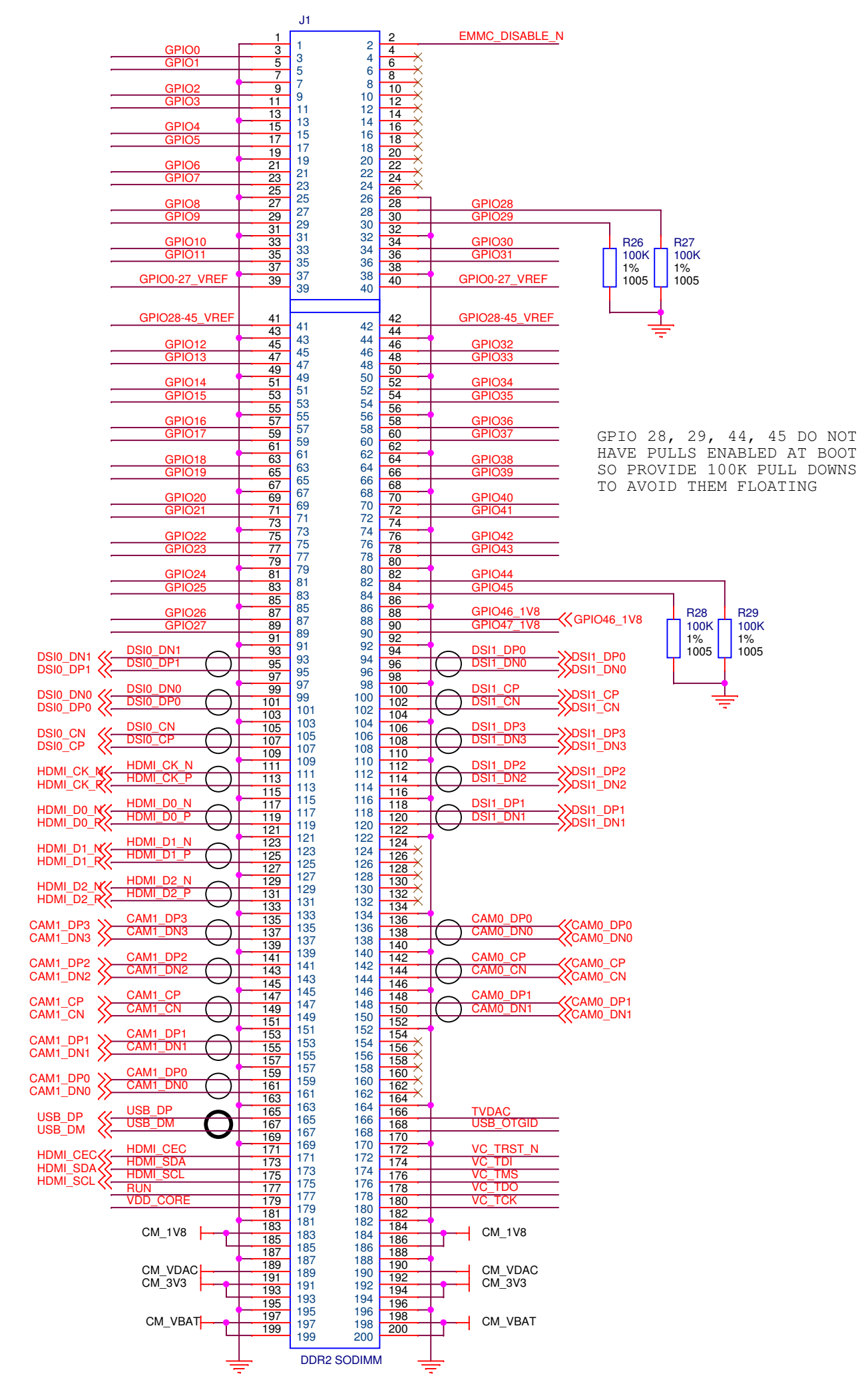
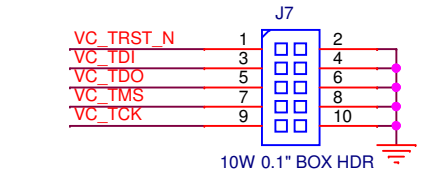
- BCM2835 BootROM boot from USB:**
- J4 set to enable USB boot
 - Plug host into micro USB socket J15 (VBUSB=5V)
 - GPIO47_1V8 high at boot (input with 50k pullup)
 - EMMC_DISABLE_N therefore LOW
 - On power up BCM2835 can't access eMMC so boots from USB
 - Once booted, 2835 USB boot SW forces GPIO47_1V8 LOW to enable access to eMMC
- BCM2835 BootROM boot from eMMC:**
- Nothing plugged into micro USB socket J15 (VBUSB=0V)
 - OR J4 set to disable USB Boot
 - EMMC_DISABLE_N therefore HIGH
 - On power up BCM2835 boots from eMMC
 - GPIO47_1V8 used as status LED
- BCM2835 BootROM boot from eMMC with GPIO boot select:**
- Set J4 to disable USB boot
 - EMMC_DISABLE_N therefore always HIGH
 - On power up BCM2835 boots from eMMC
 - BCM2835 boot SW reads GPIO47_1V8 (GPIO47_CTL_1V8) if low perform 'alternate' boot (e.g. can boot into safe mode, or USB mass storage...)
 - Once booted GPIO47_1V8 used as status LED

USB BOOT ENABLE:

Jumper Positions:
 1-2 = USB BOOT ENABLED
 2-3 = USB BOOT DISABLED



VIDEOCORE JTAG

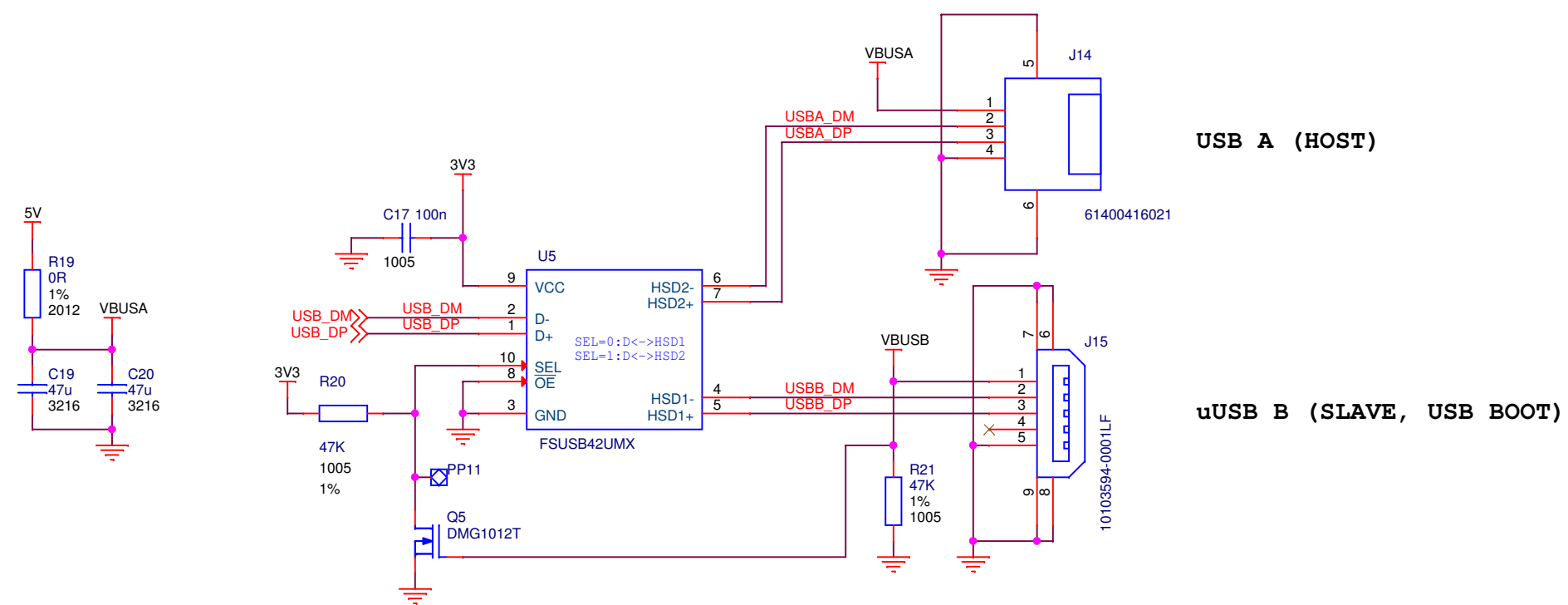
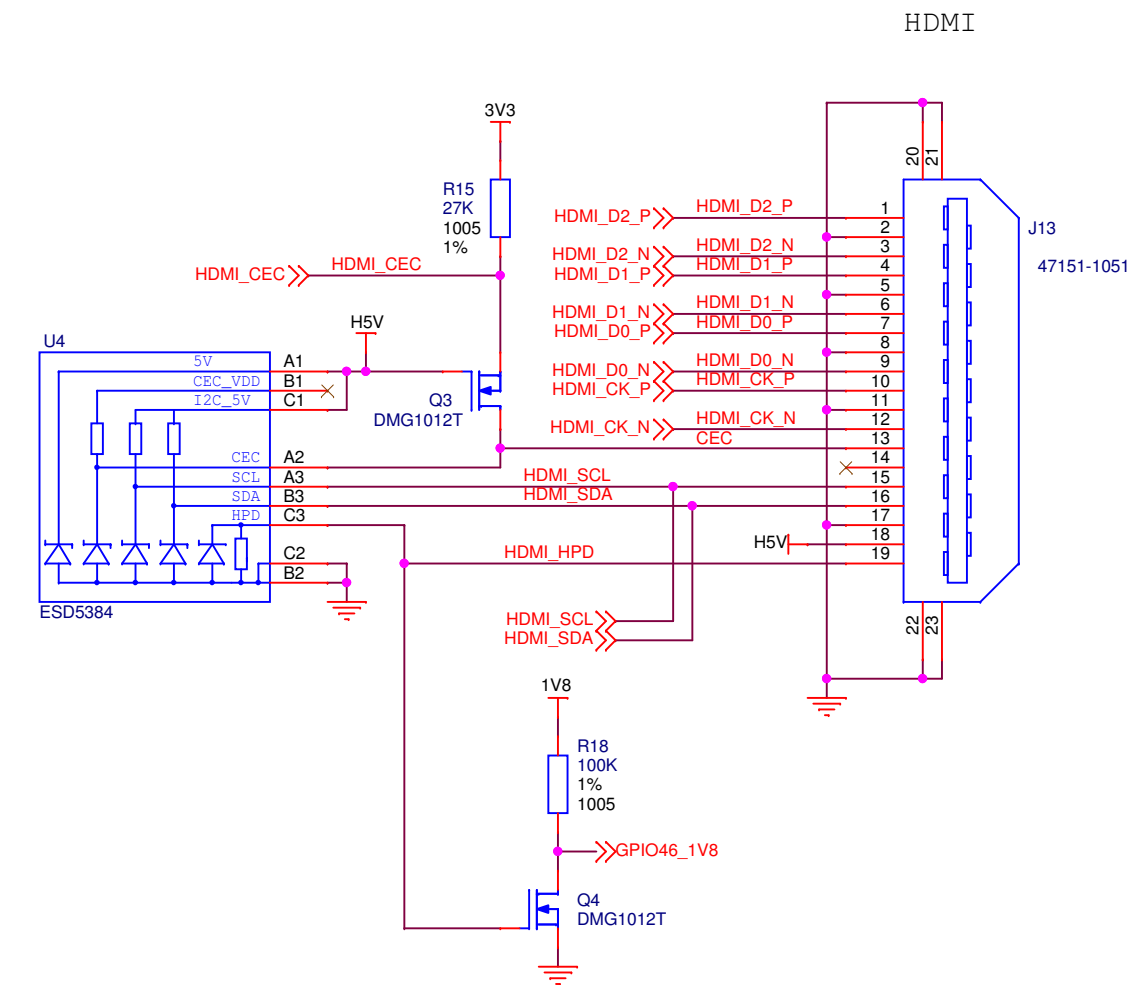
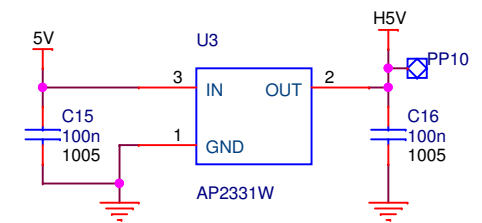
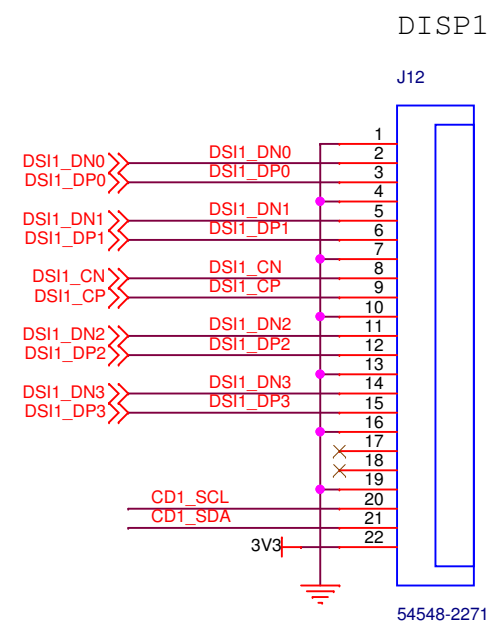
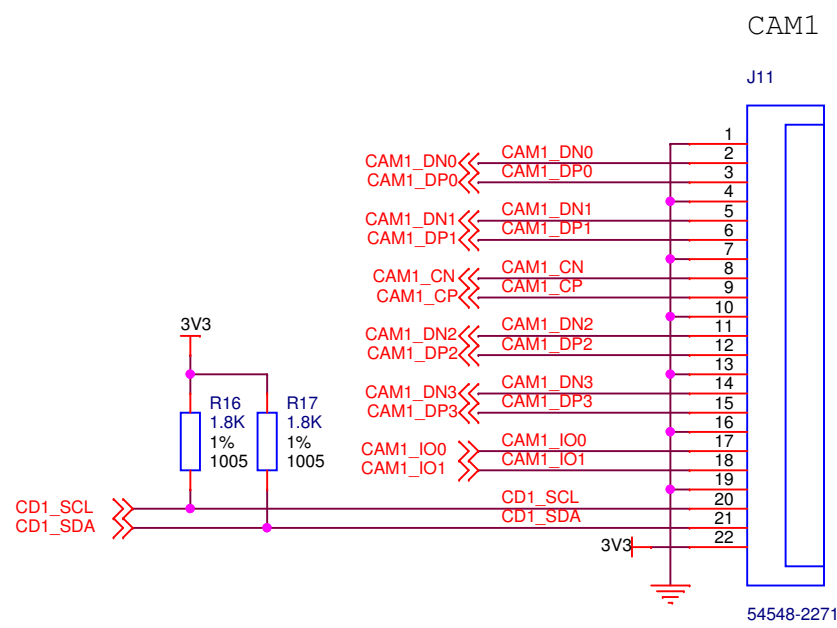
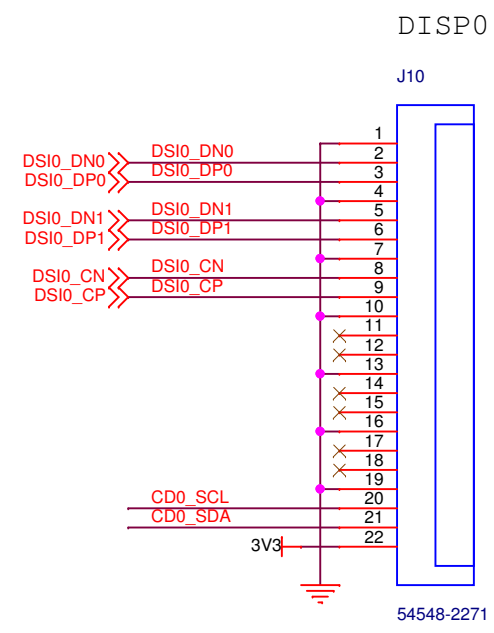
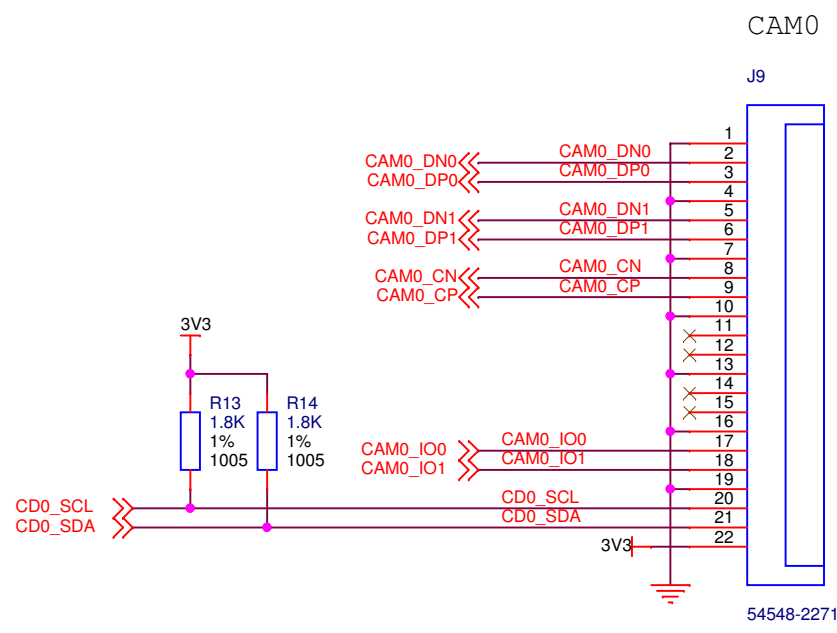


GPIO 28, 29, 44, 45 DO NOT HAVE PULLS ENABLED AT BOOT SO PROVIDE 100K PULL DOWNS TO AVOID THEM FLOATING

Route ringed signals as matched length 100R differential pairs

Route bold-ringed signals as matched length 90R differential pair

VDD_CORE used for module test only (do not use in normal operation, do not draw current from this pin!)



CONTENTS :

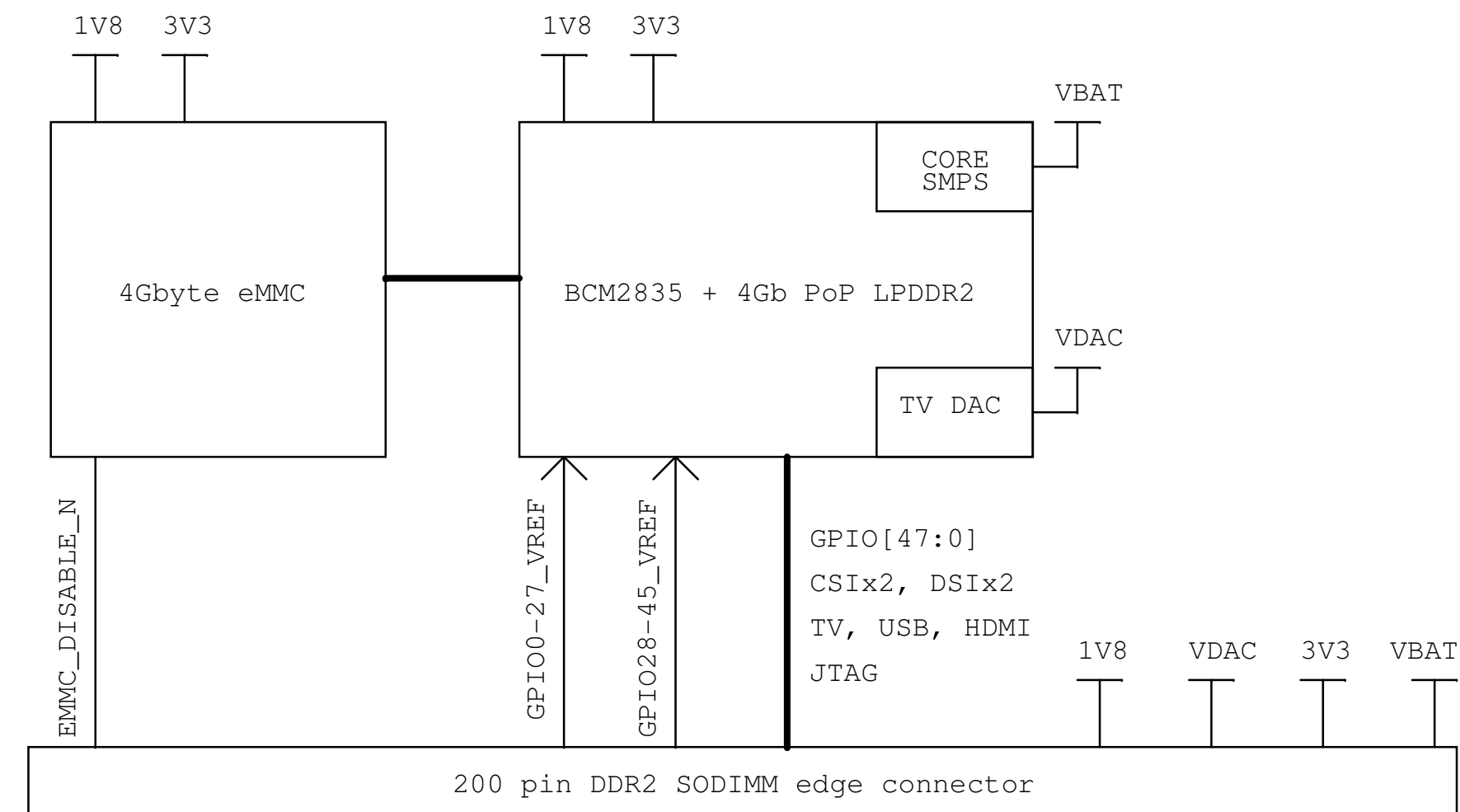
PAGE1 - BLOCK DIAGRAM, CONTENTS

PAGE2 - POWER, OSC

PAGE3 - I/O, eMMC

PAGE4 - SODIMM CONNECTOR

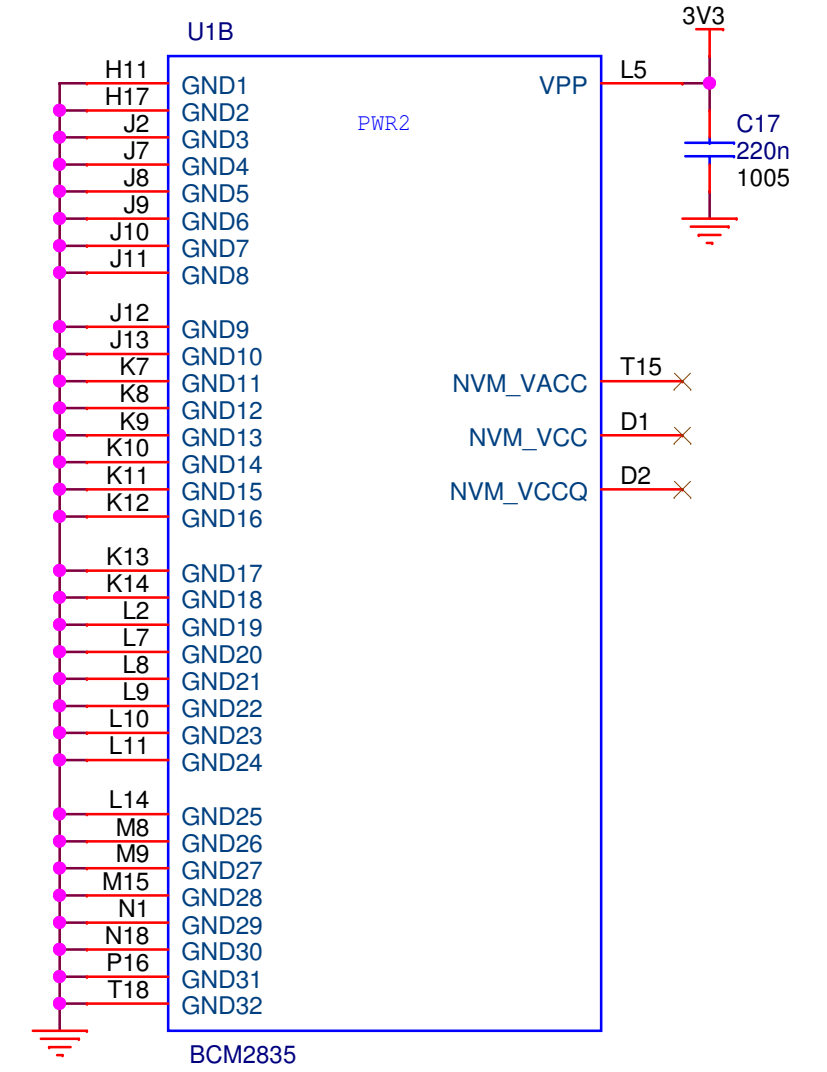
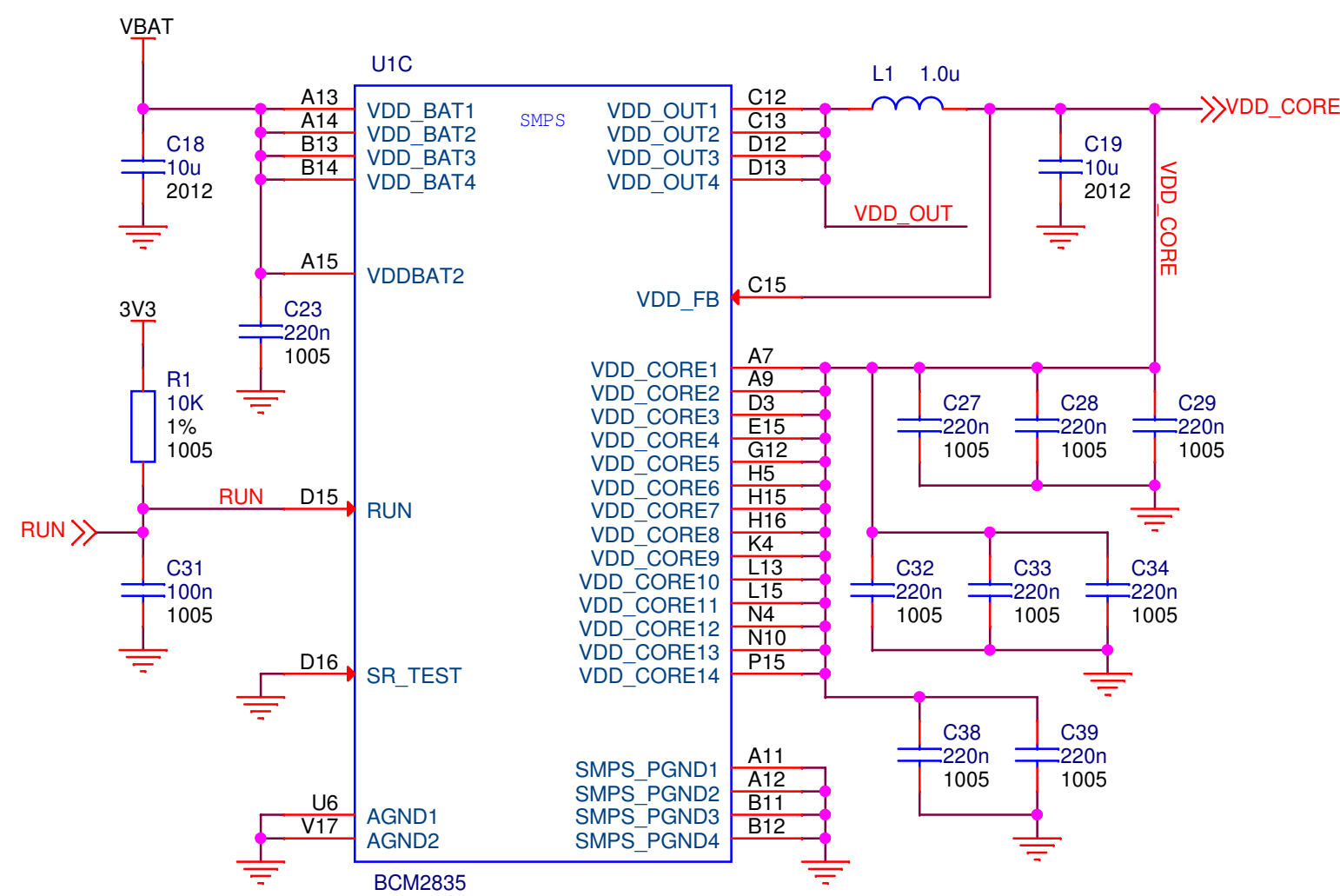
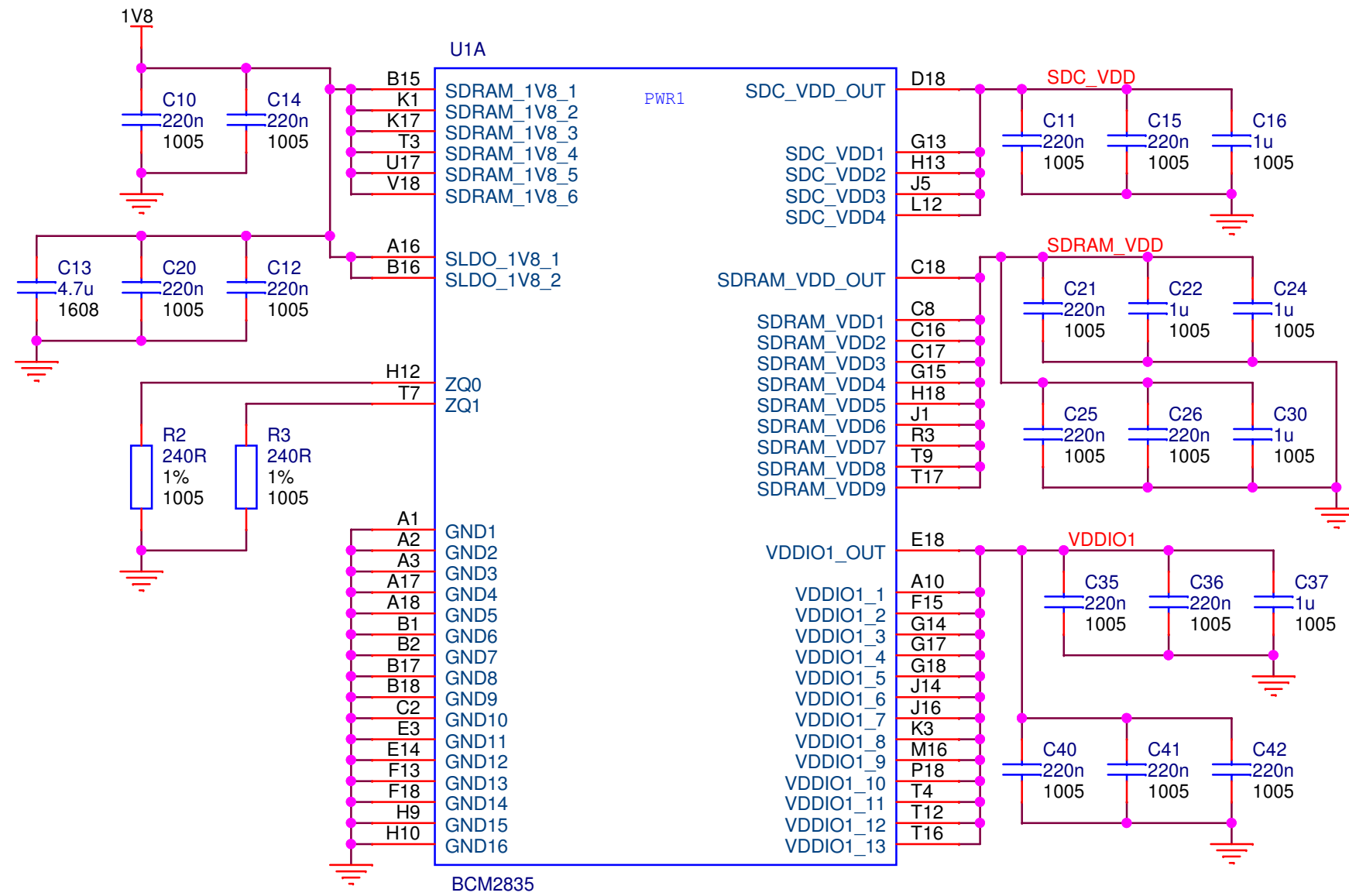
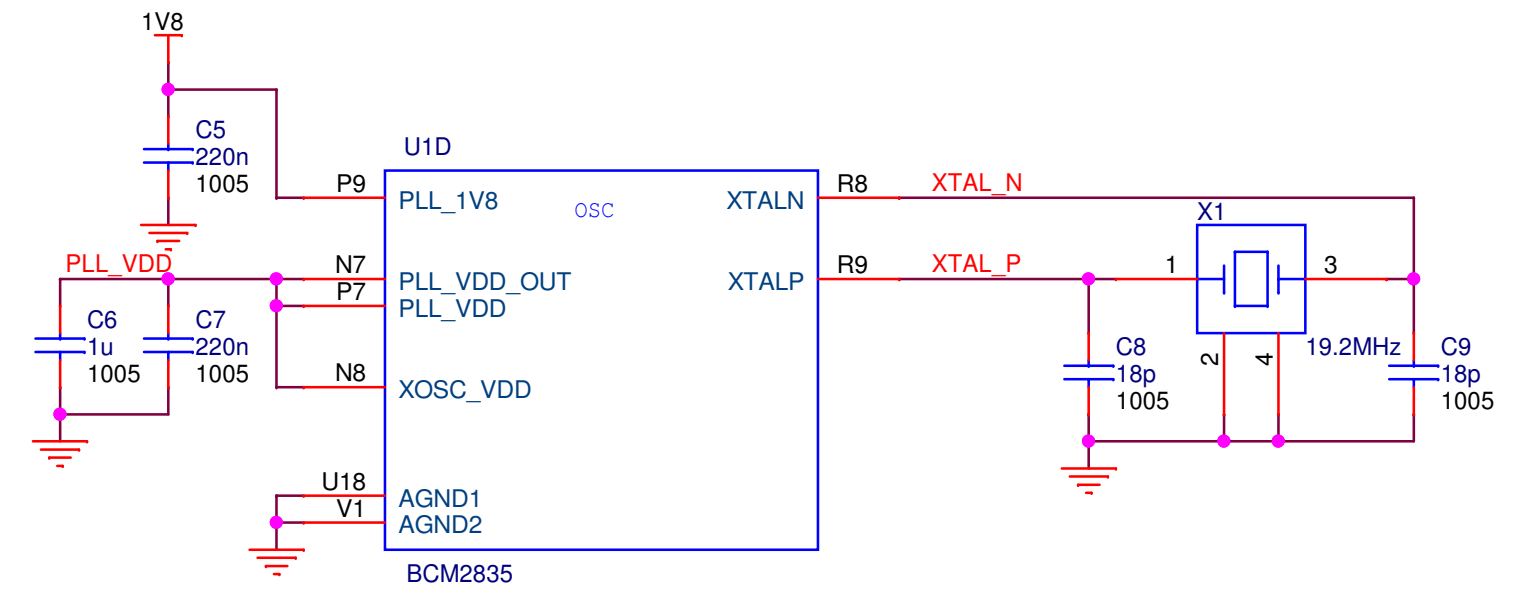
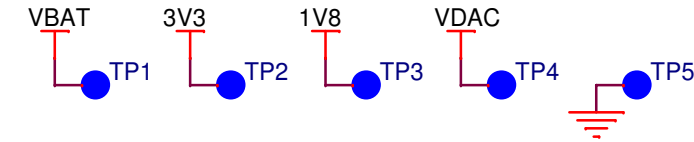
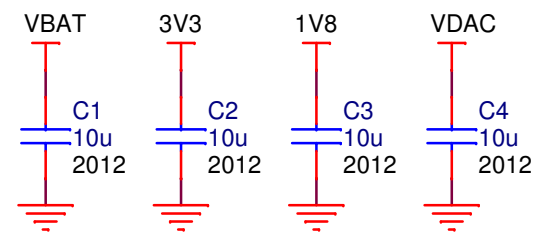
BLOCK DIAGRAM:



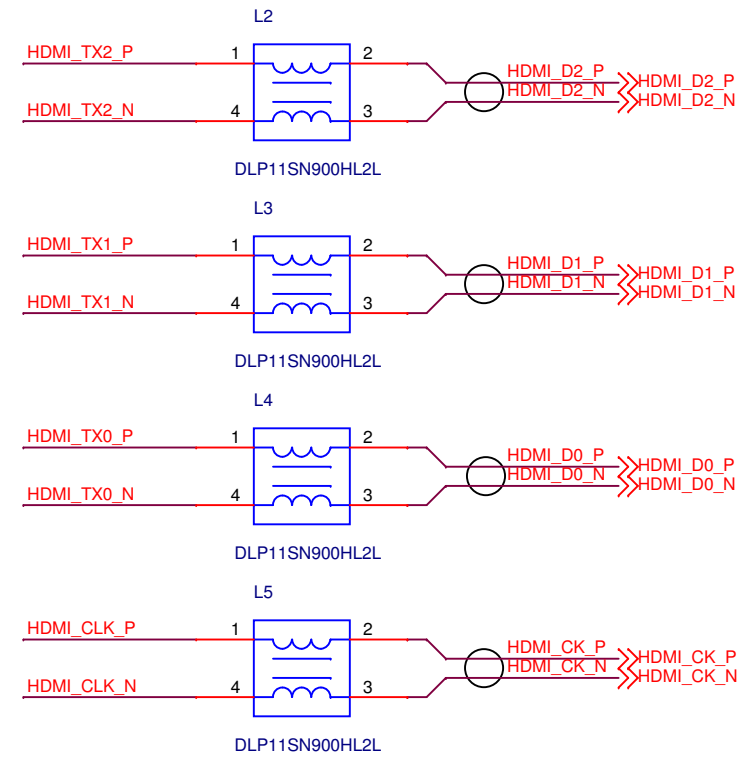
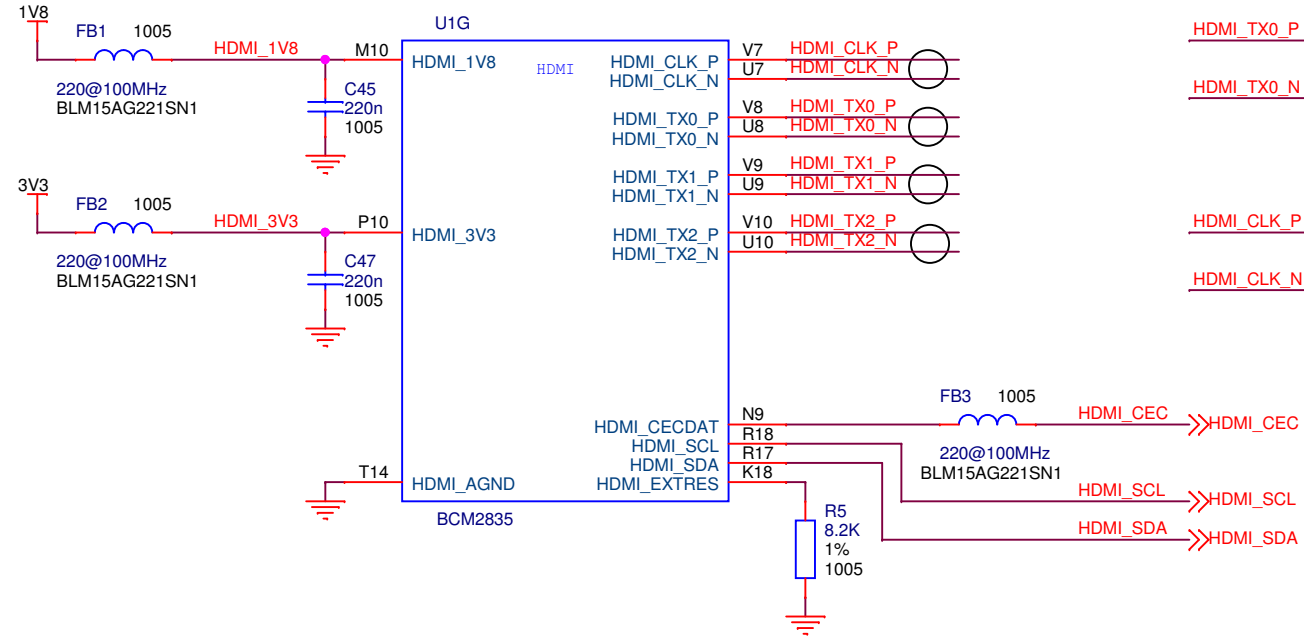
REVISION HISTORY:

23/01/2014 - V1.0

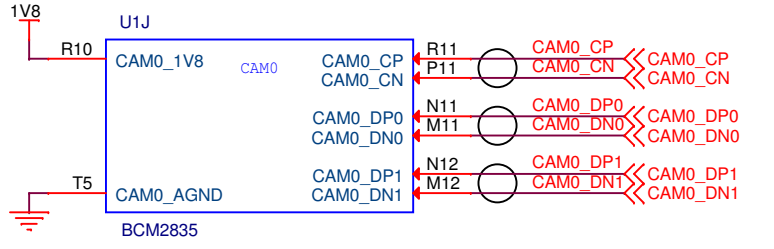
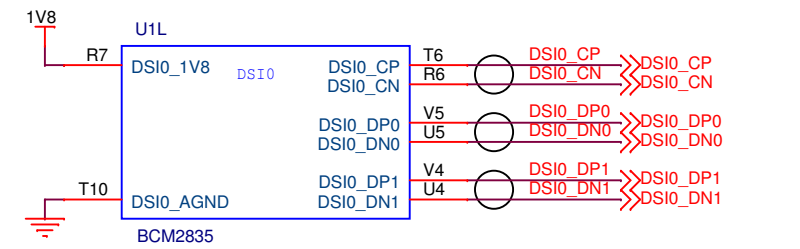
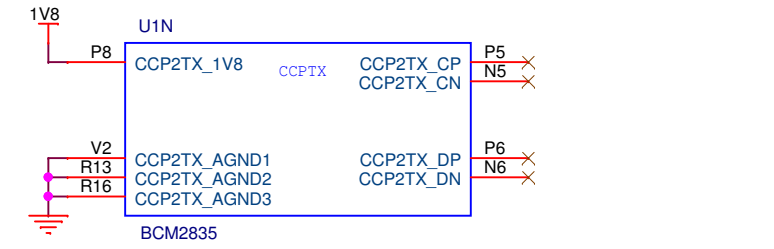
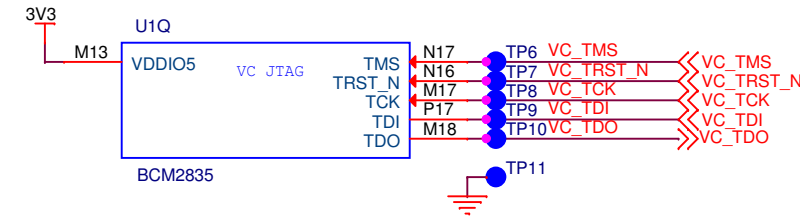
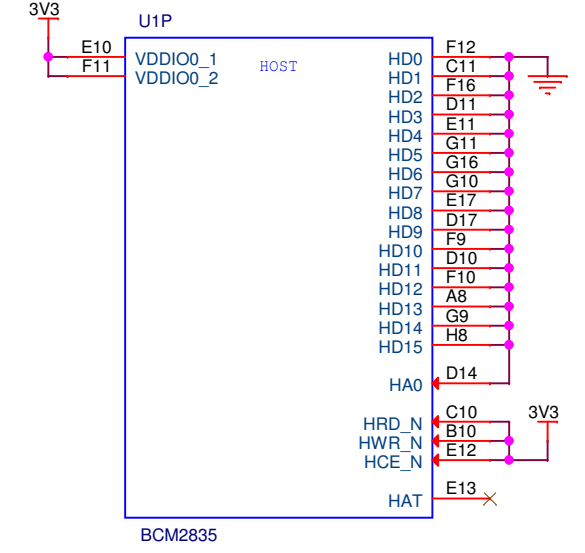
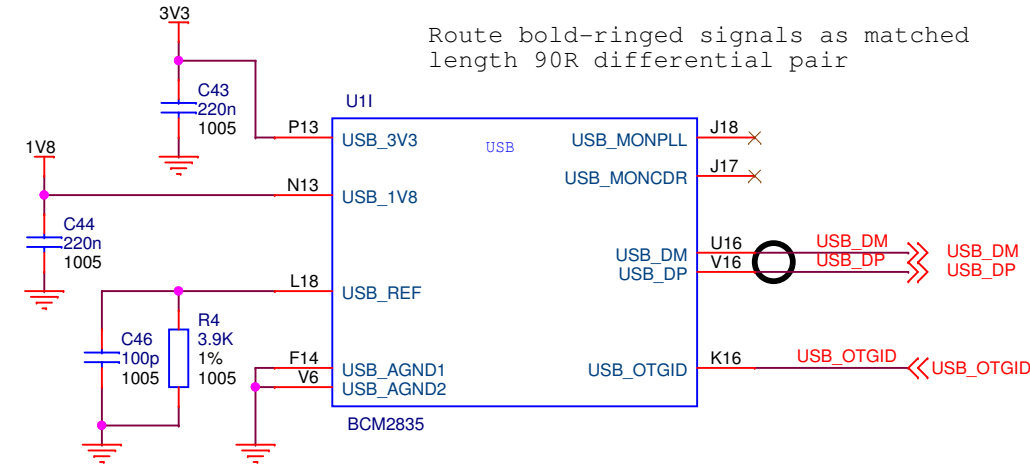
03/04/2014 - V1.1 - Production Version



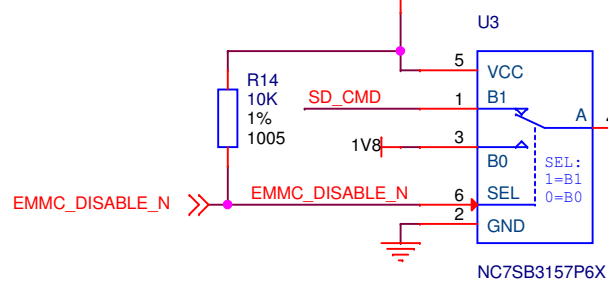
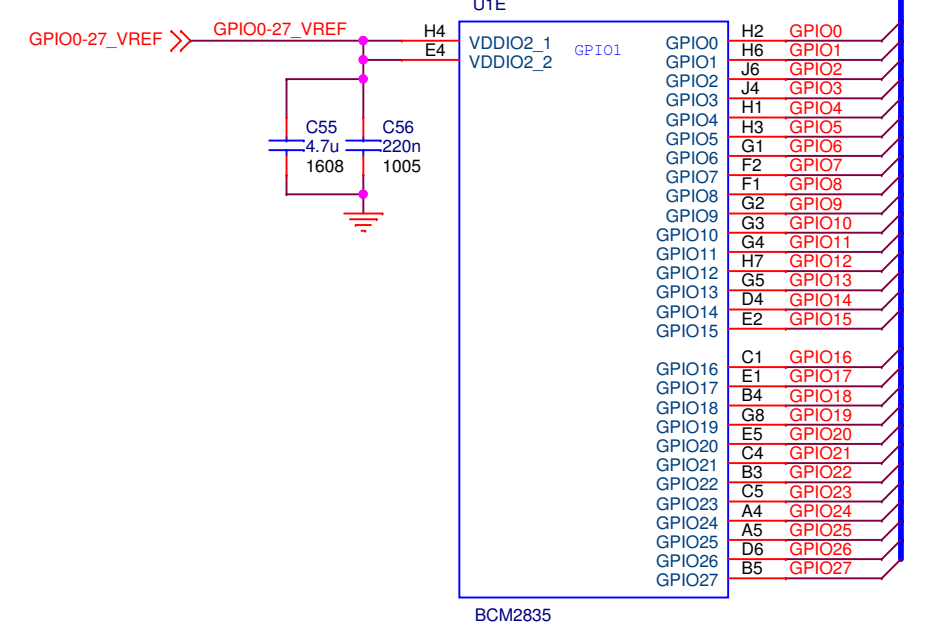
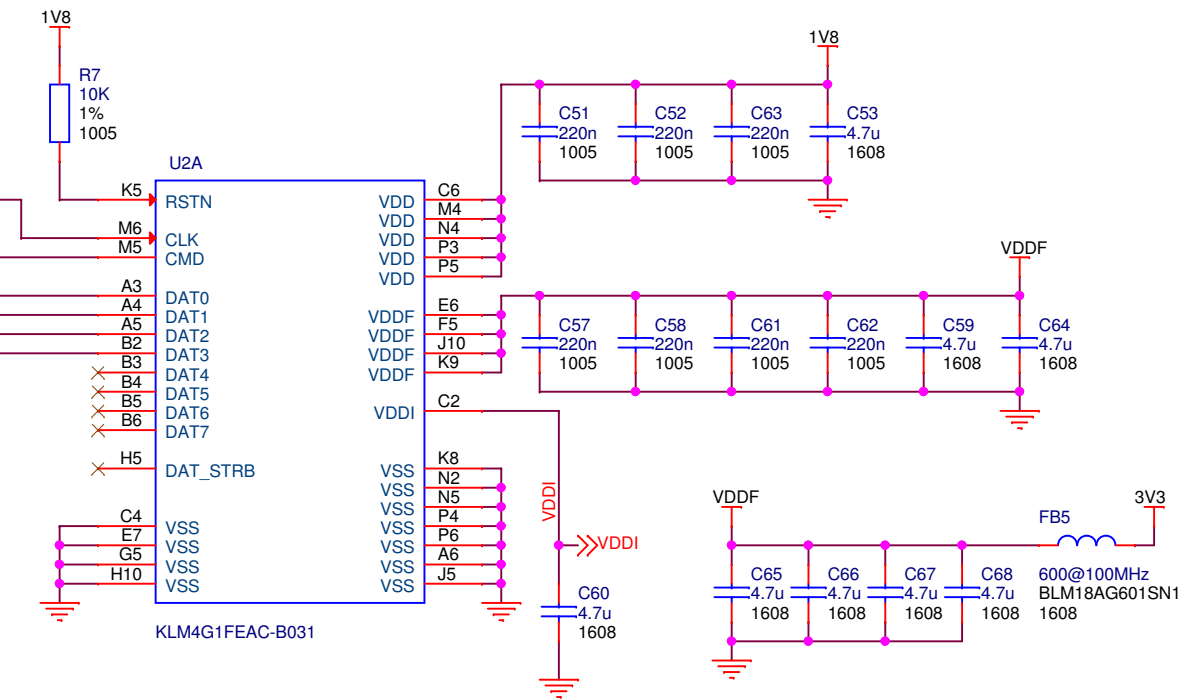
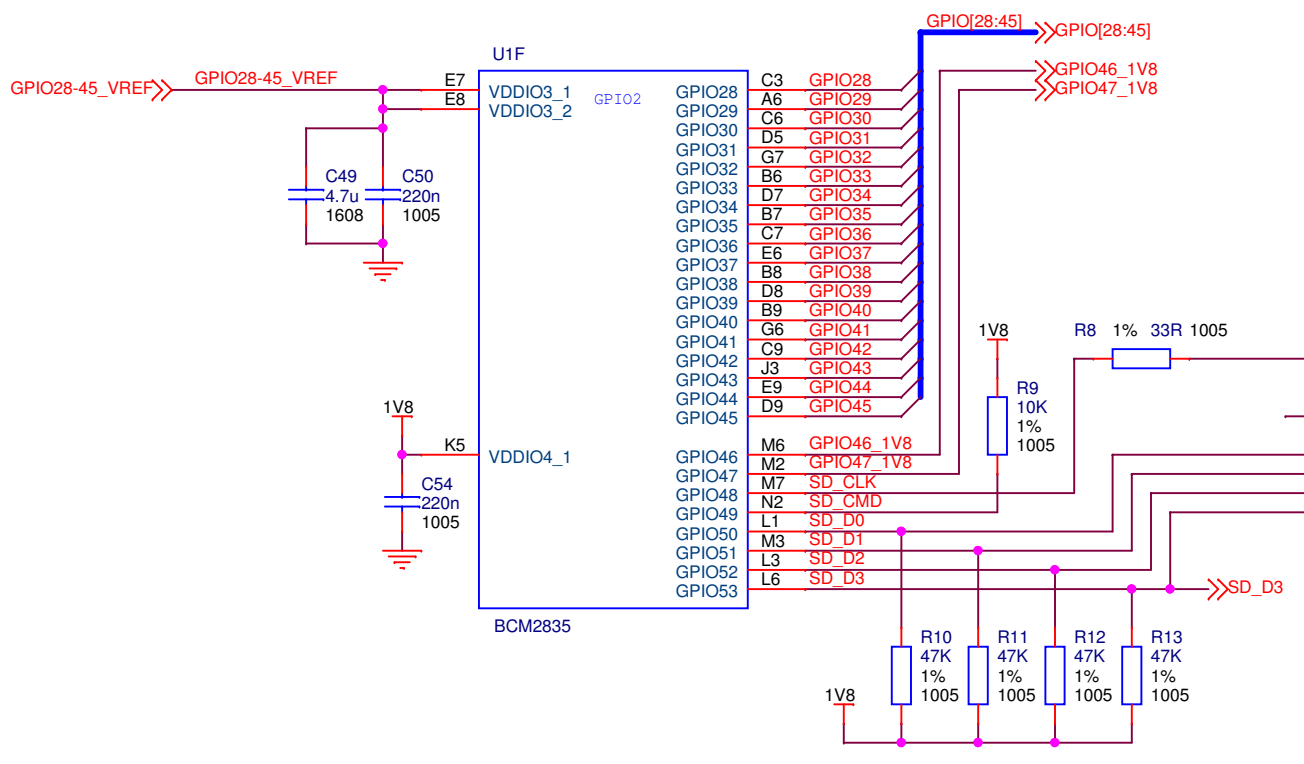
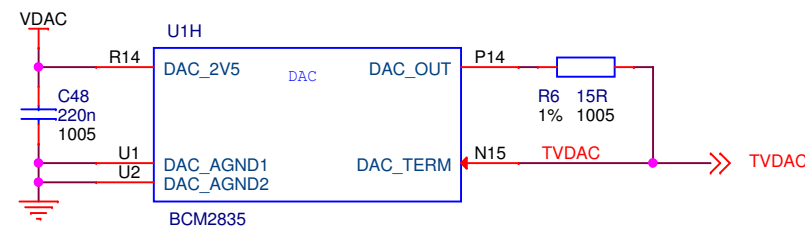
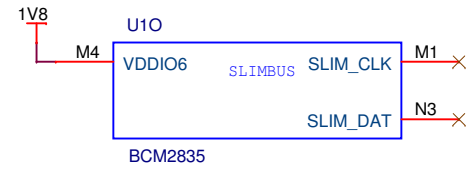
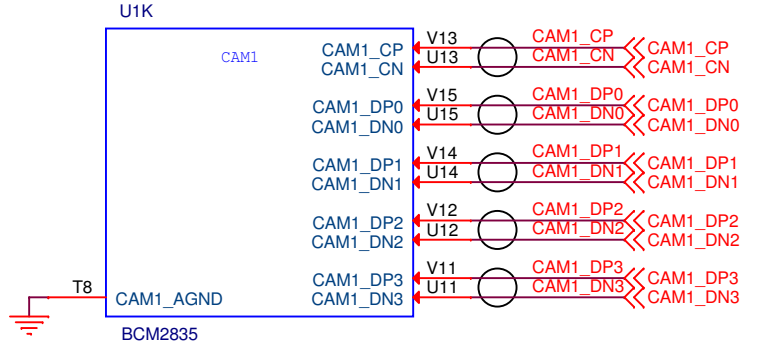
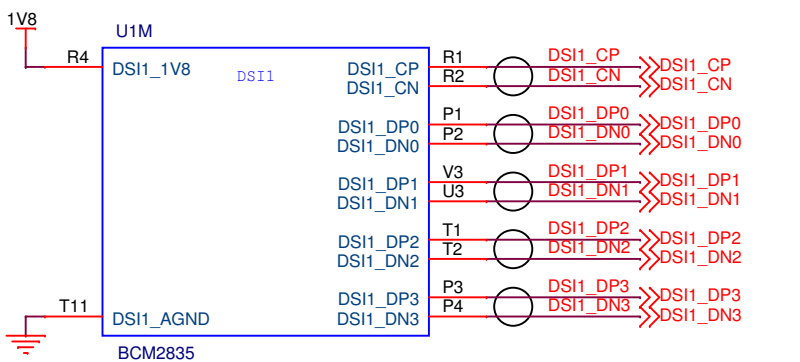
Route ringed signals as matched length 100R differential pairs



Route bold-ringed signals as matched length 90R differential pair



Route ringed signals as matched length 100R differential pairs



BCM2835 will fail to boot from eMMC if EMMC_DISABLE_N is LOW and will therefore fall back to booting from USB.

